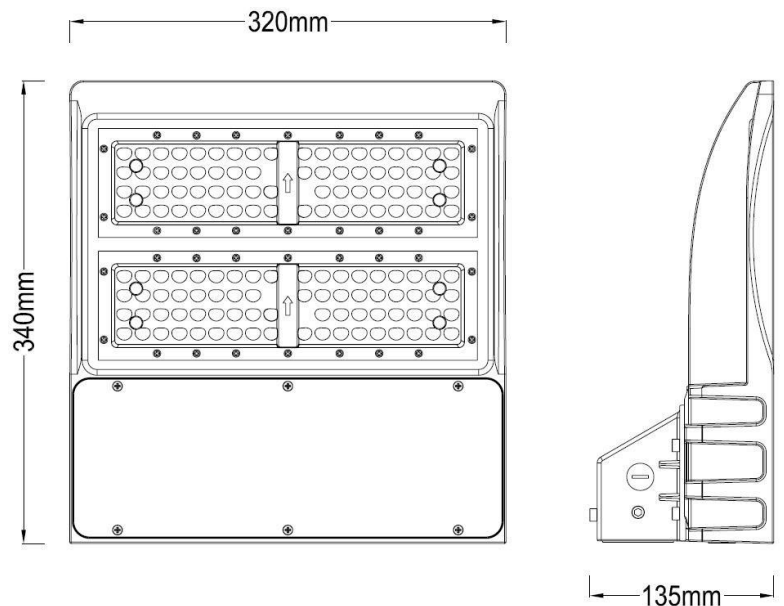


NAME: LED Wall Pack Light

P/N : ES-WP-120W-1111-1601

**Advantage:**

- UL cUL DLC certificate
- Mean Well IP65 Internal driver, Input voltage 100-277VAC
- No UV or IR in the beam
- Easy to install and operate
- Energy saving, long lifespan
- Instant start, NO flickering, NO humming
- Green and eco-friendly without mercury.



**Application:**

- ◆ Outdoor Full-Cutoff Wall-Mounted Area Luminaires.

## Product Specifications

Product name	LED Wall Pack Light
Part No	ES-WP-120W-1111-1601
Dimension	340 x 320 x 135 mm

## Technical Characteristic

Color temperature	4000K	5000K	5700K
CRI	>80		
Lumen	13500-14000LM		
Input Power	120W		
Viewing Angle	150 x 85° (type 3)		
Input Voltage	100-277VAC	50/60Hz	
Driver model	CLG-150-48A (Mean Well Driver)		
PFC	>0.9		
Waterproof Rating	IP65		

## Materials

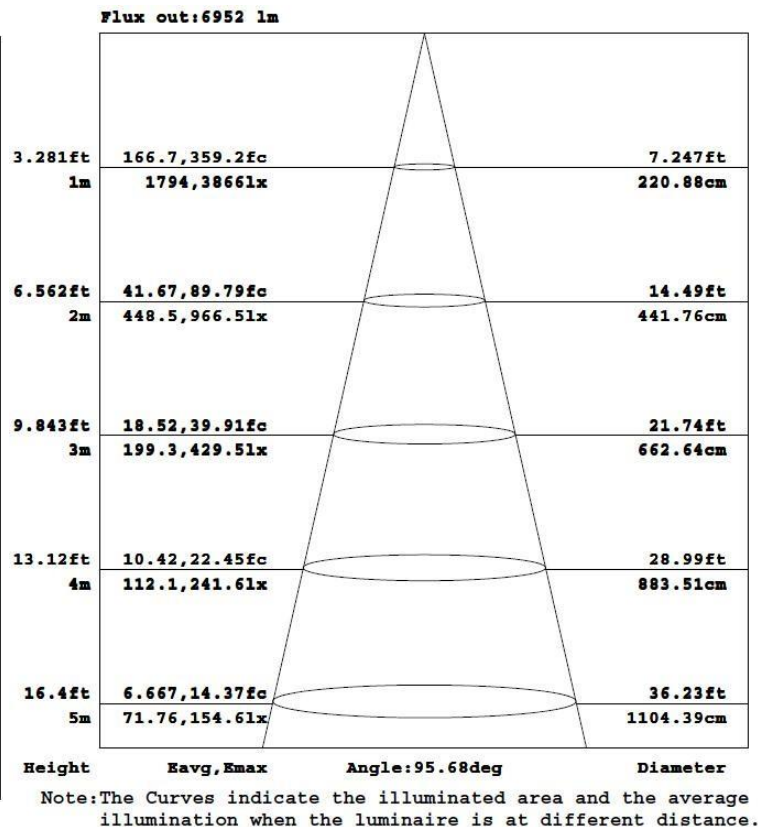
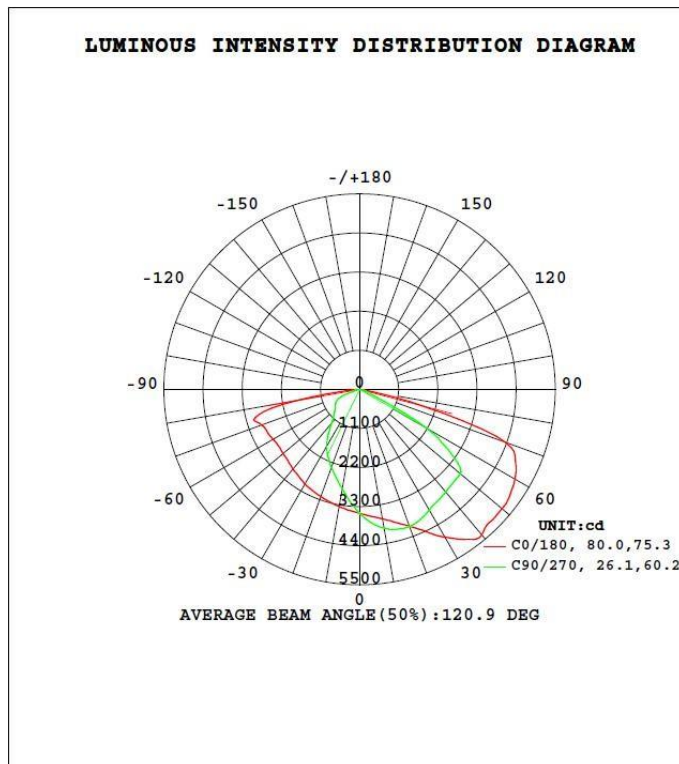
LED Brand	PHILIPS LUMILEDS
LED Type	LUXEON 3030 2D (1.5W)
LED QTY	140 PCS
Housing	Aluminum
Housing color	Black

## Others

Operating Temperature	-20°C TO 45°C
Operating Humidity	20%-90% RH
Storage Temperature	-30°C TO 80°C
Storage Humidity	10%-95%
Application	Indoor / Outdoor
Safety Certification	UL、cUL、DLC
Warranty Time	5 Years

## Light Distribution Testing Parameters

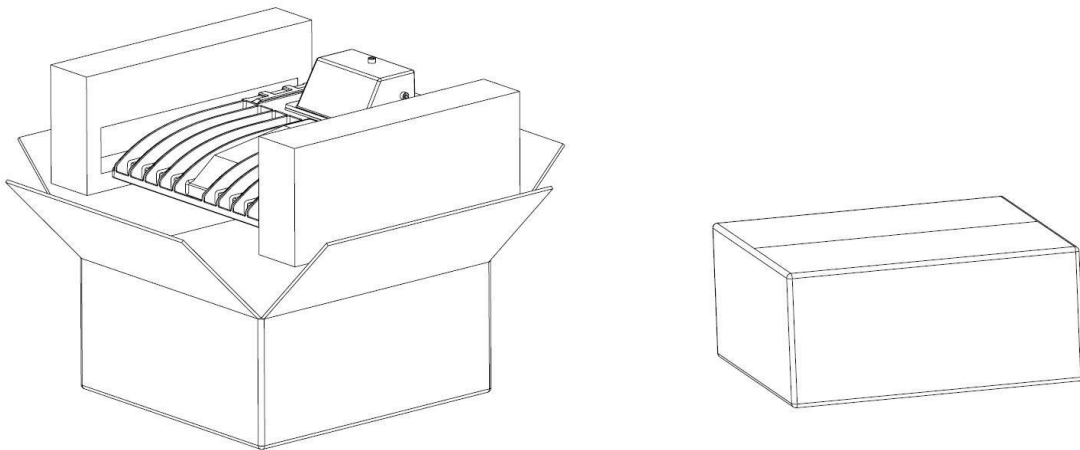
DATA OF LAMP		PHOTOMETRIC DATA				Eff: 115.41 lm/W
MODEL	120W	I <sub>max</sub> (cd)	6181	S/MH (C0/180)	1.33	
NOMINAL POWER (W)	120	LOR (%)	100.0	S/MH (C90/270)	0.83	
RATED VOLTAGE (V)	120	TOTAL FLUX (lm)	14190	η UP, DN (C0-180)	0.1, 67.9	
NOMINAL FLUX (lm)	14189.9	CIE CLASS	DIRECT	η UP, DN (C180-360)	0.1, 31.9	
LAMPS INSIDE	1	η up (%)	0.2	CIBSE SHR NOM	1.50	
TEST VOLTAGE (V)	120.0	η down (%)	99.8	CIBSE SHR MAX	1.55	



## Package

**Lamps Net Weight: 5.7kg / pc**

	Size	Qty/Carton	Weight/Carton
Outer box	400 x 370 x 180 mm	1	6.6 kg



## Notice For User

- ◆ Please turn off power before install or change assembly parts.
- ◆ The input voltage and lamps should be matched, after connecting the power line, Please make sure the wiring section is insulated.
- ◆ No-professionals, must not install and disassemble the lamps.

## Trouble Shootings

Troubles	Check points
Flickering of the light	Turn off the power and turn on again in 3 minutes. If same phenomena occur, then call agencies
Out of working	Please check the connection